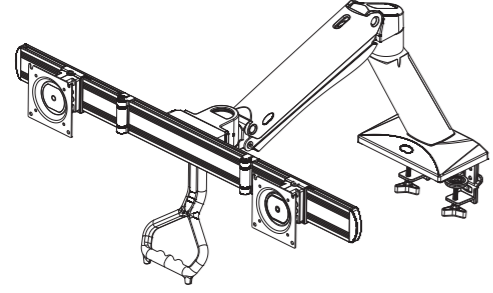




Ergonomics Desktop Dual Display Mount Installation Instructions



NB32
 Fits Most Monitors Size : 24"~32"
 Load Capacity : 4.4~33lbs (2~15kg)
 VESA:75x75,100x100mm

- Severe personal injury and property damage can result from improper installation or assembly. Read the following warning carefully before beginning.
- Products must be installed by professional or installer.
 - If you do not understand the instructions or have any concerns or questions, please contact a qualified local installer.
 - Do not install or assemble if the product or hardware is damaged or missing, if you require replacement parts, please contact your local distributor for assistance.
 - This product fits most 24"-32" LCD / monitor; maximum weight of LCD / monitor: 15kg / 33lbs.
 - Installer-friendly and straight forward.
 - For safe installation, the desk you are mounting to must support minimum 3 times the weight of the total load (the mount, the monitor and all accessories weight).
 - Do not use this product for other than the original designed.
 - This product contain moving parts, please use with caution.
 - When installing monitor, please do not damage electrical wiring or power source.
 - Installation and routing of monitor cables on the monitor bracket must comply with electro-technical regulations.
 - Importantly, mains- and data-cables must be secured against twisting and squeezing or shearing.
 - The manufacturer will bear no responsibility to the desk of mounting, or incidental or consequential damages arising thereof.
 - The manufacturer disclaims any liability for the modifications, improper installation, or installation over the specified weight range. The manufacturer will not be liable for any damages arising out of the use of . or inability to use, the product.
 - This product is designed for indoor used only, use of this product outdoor could lead to product failer and severe personal injury.
 - ▲ This product contains a high pressure gas spring, fire and percussion prohibited. Also it is strictly prohibited to dismantle without professionals. Please return to the manufacturer or hand over to professional agencies if the product is abandoned. In order to ensure the
- We reserve the right to modify or alter instructions. No modification or alteration without formal notice.

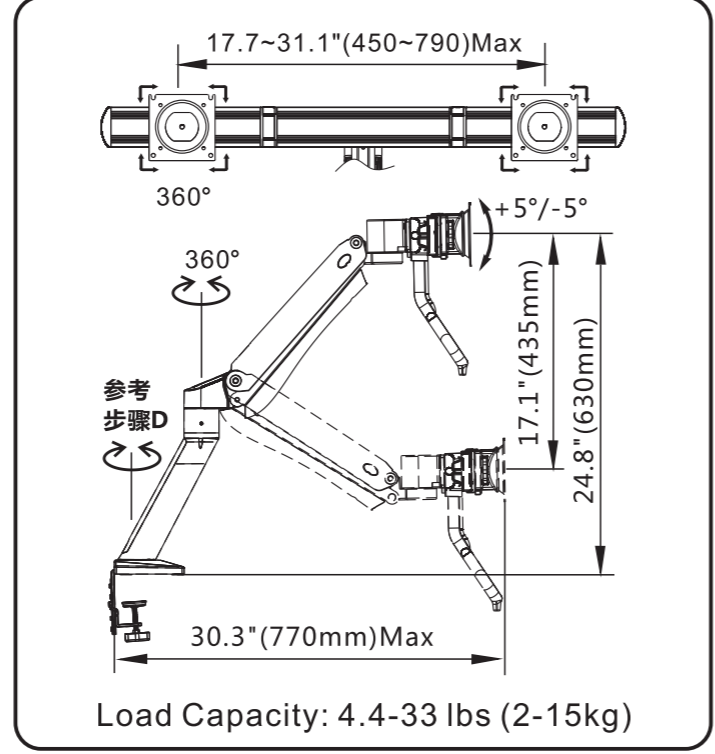
Symbols

	Tightening Direction loosening Direction		+ : Torque increased - : Torque reduced
	Tightening Direction loosening Direction		+ : Torque increased - : Torque reduced
	Phillips Screwdriver		By Hand
	Open-End Wrench		Hex Wrench
	Adjustment		Pencil
OPT	Optional	NOTE	Reminder
	Warning		Hand Drill
	Remove		Star Wrench

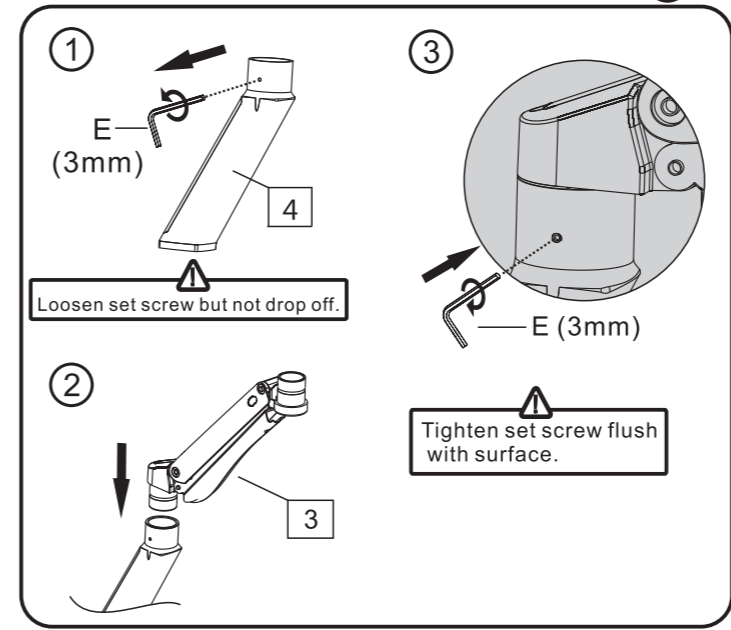
NB32 Installation Manual Table Edge Installation or Grommet Installation

Part list			
1	5		
2	6		
3	7	8	
4	9	10	
A 8x M4x12	B 8x M5x12	C 4x M6x25	D 1x M6X15
E 1x 3mm	F 1x 4mm	G 1x Locking plate	
1x 5mm	2x M6X20	1x Carriage Bolt	1x Base plate

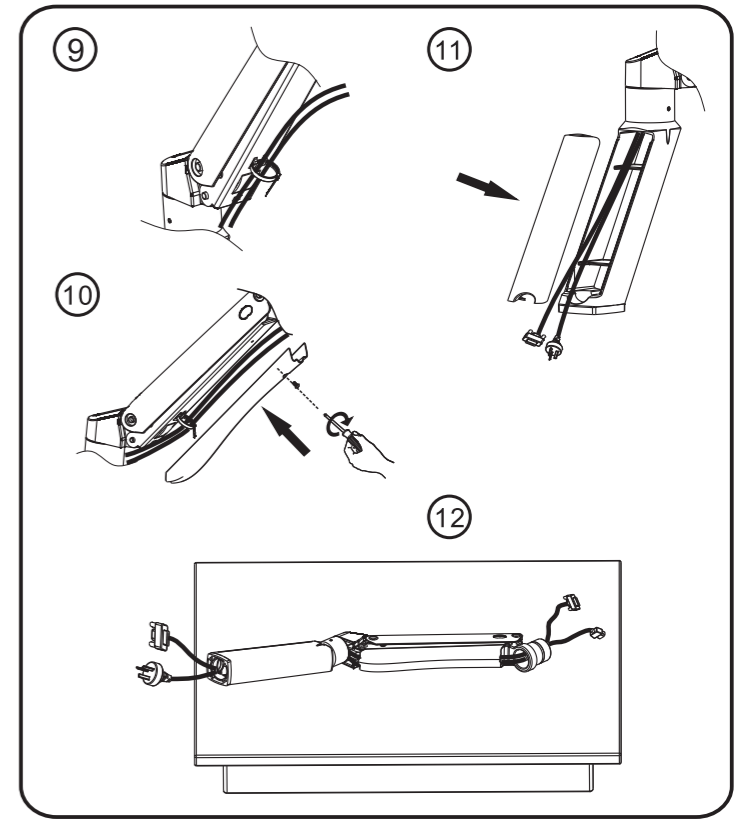
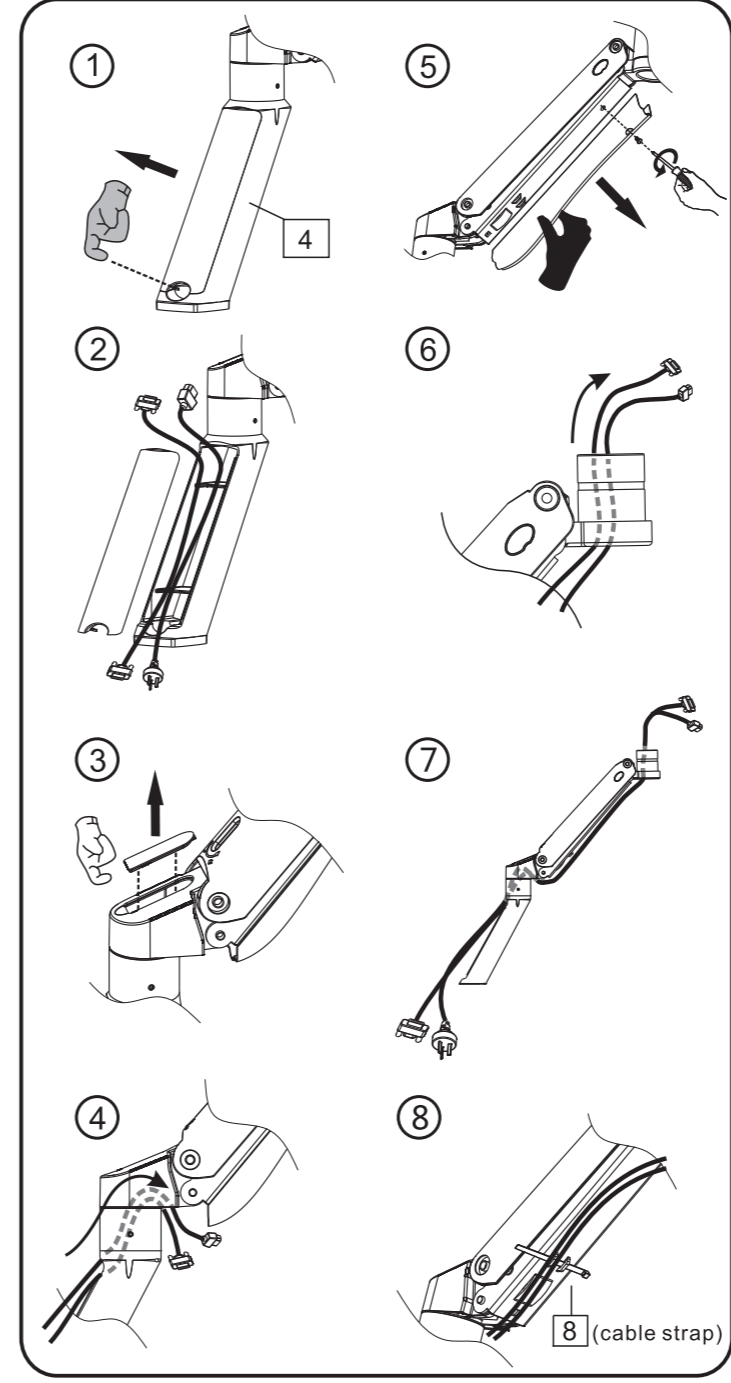
A. Adjustable parameters after full installation :



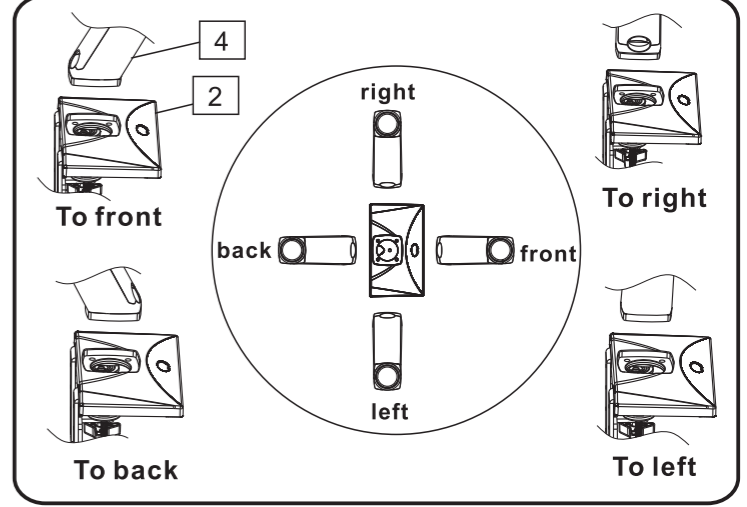
B. Mount arms installation : (Need 2 men)



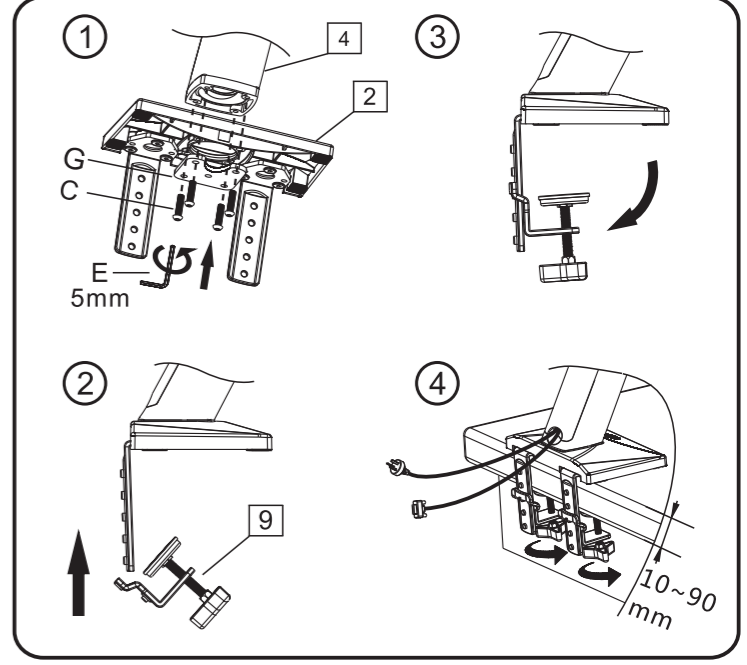
C. Power cables and display lines installation: (Need 2 men)



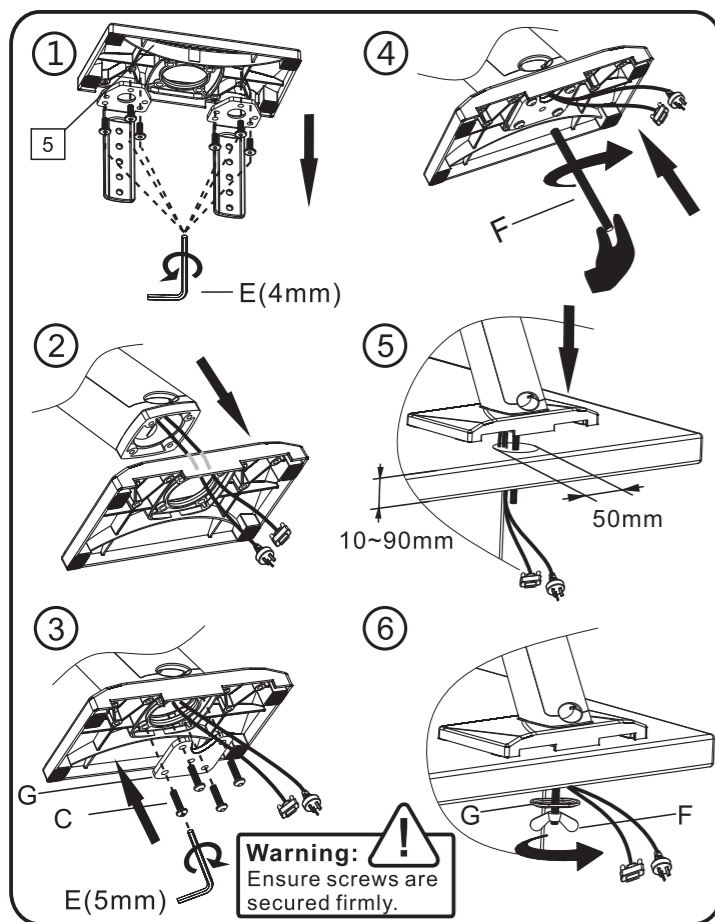
D. Lower arm to base installation (Four options)



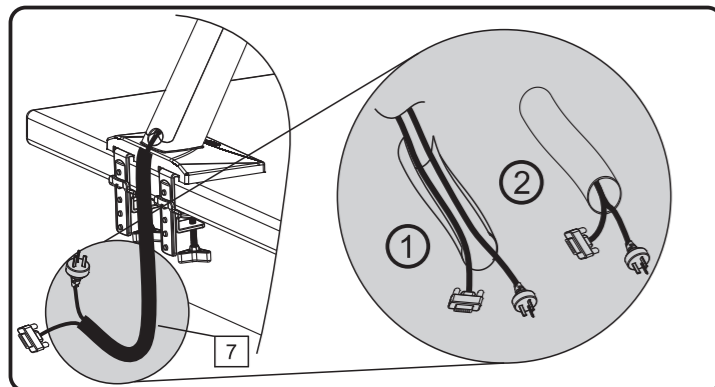
E1. Table edge installation



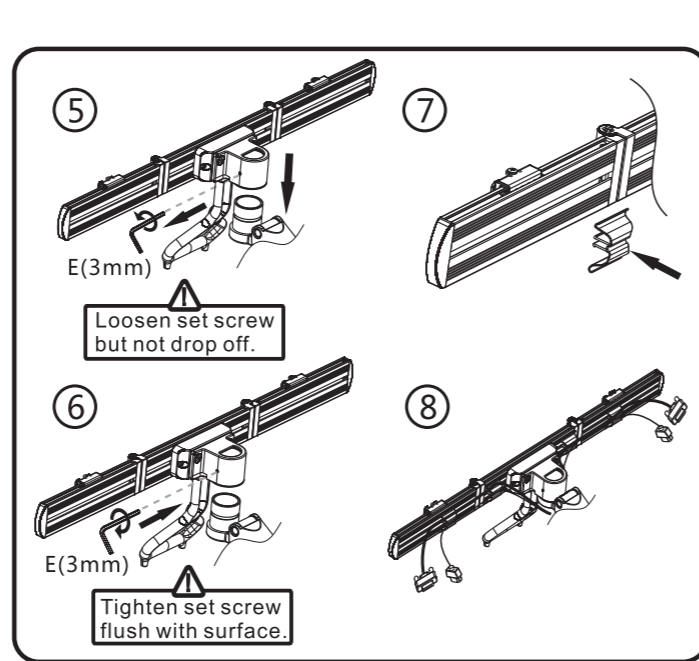
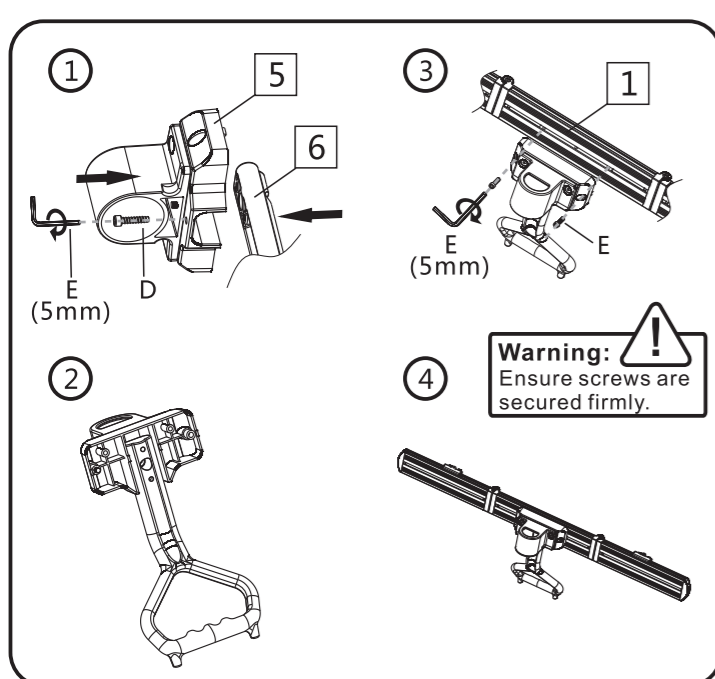
E2. Grommet installation :



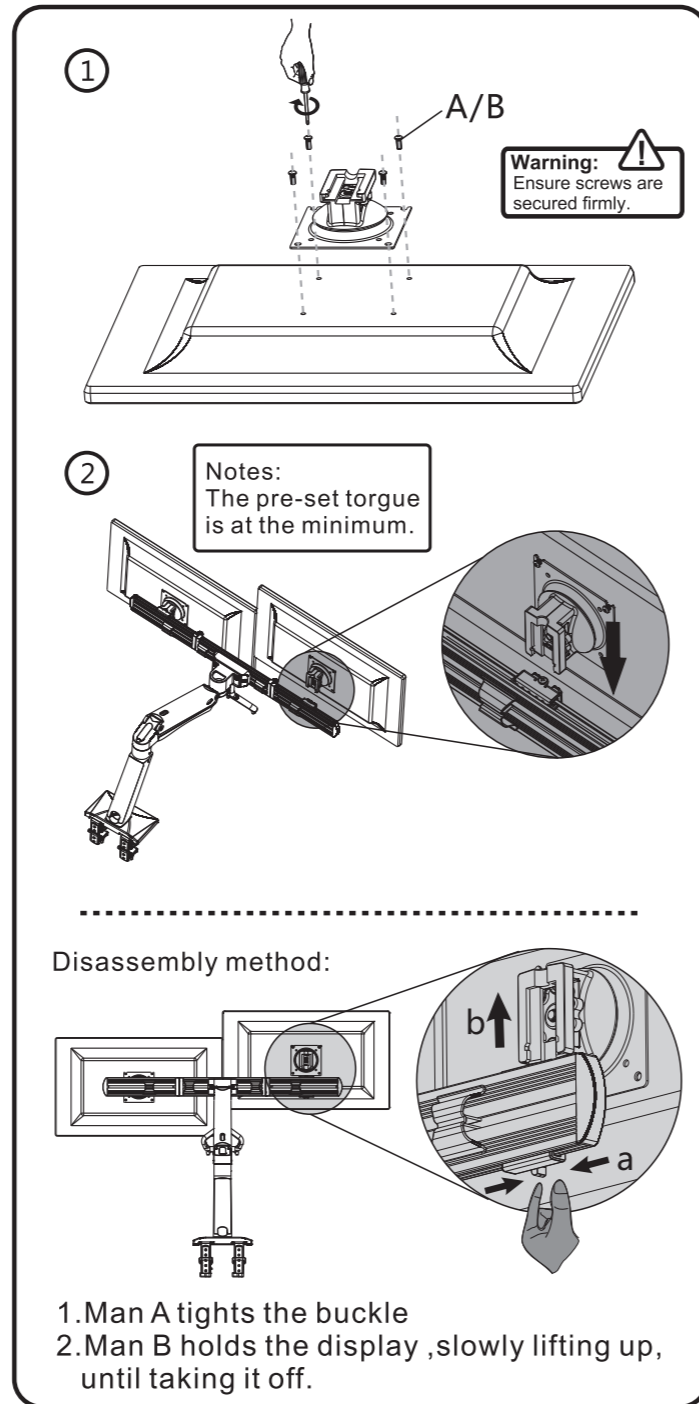
E3. Cable management by cable sleeve :



F. Horizontal arm installation:



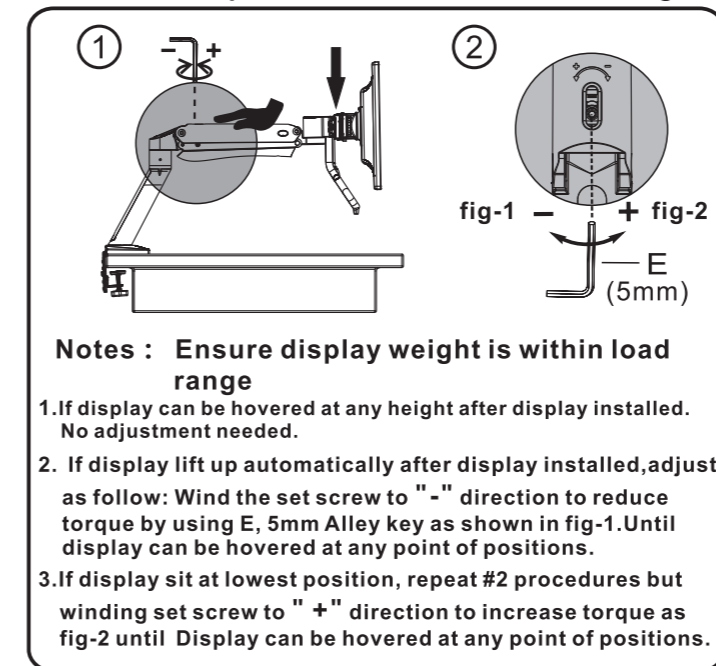
G. Display installation



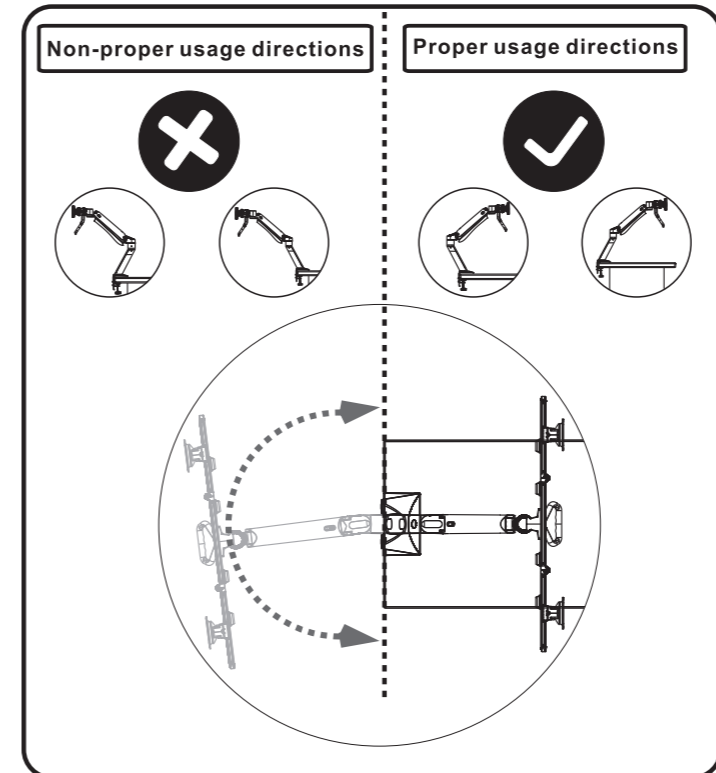
H. Torque adjustment

" - " : Torque decrease direction shown fig-1

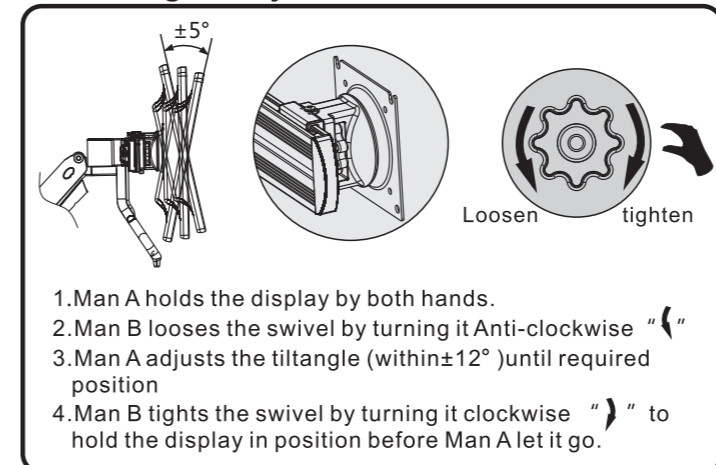
" + " : Torque increase direction shown fig-2



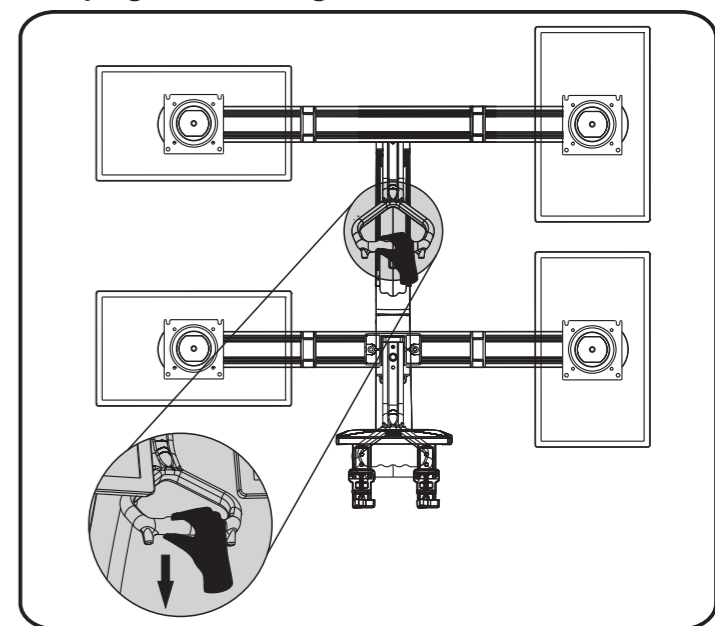
I1. Rotation restriction



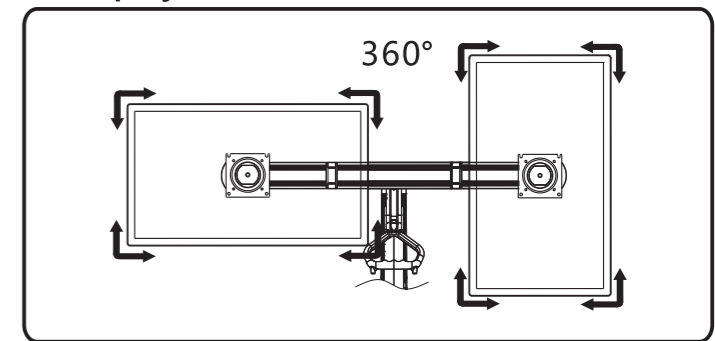
I2. Tilt angles adjustment



J. Upright travelling



K. Display rotation



TENSION ADJUSTMENT AFTER MOUNT INSTALLED



- Do not adjust tension without putting on display.
- 1. Ensure display has been put onto mount.
- 2. Read your display packaging or manual to find out display net weight.
- 3. Ensure display net weight between 4.4-33lbs(2-15kg)

Adjustment sign



warning!

