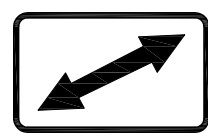


Common Model
F5 26版
带灯/整装

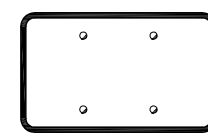
REV	DESCRIPTION	DRW	DATE
A1	NEW	YWH	2025-7-3



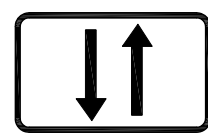
**Screen Size**  
32"-60"



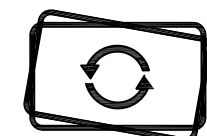
**Capacity**  
4.4- 44 lbs (2-20 kg)



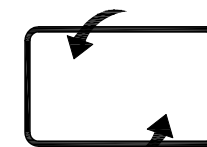
**VESA**  
75x75-100x100mm



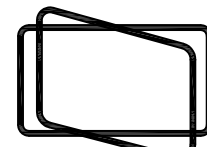
**Upright**  
9.8"(250mm)



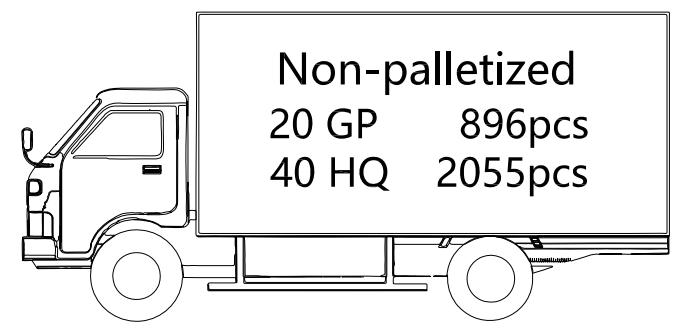
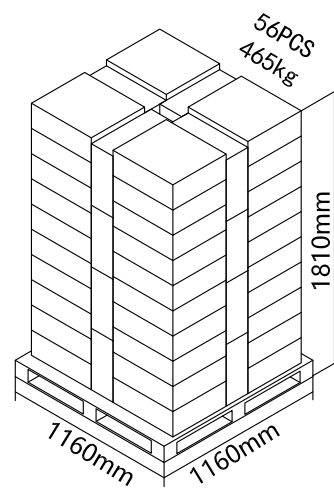
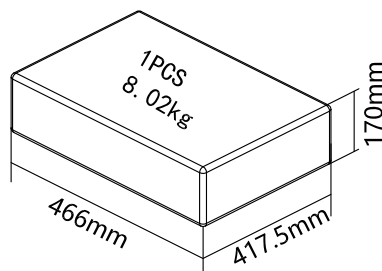
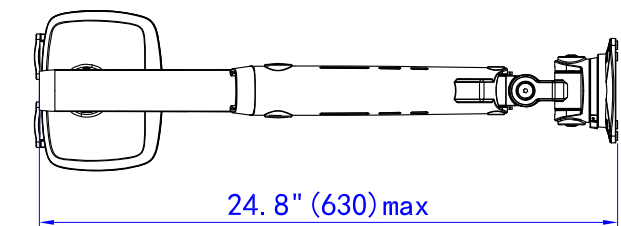
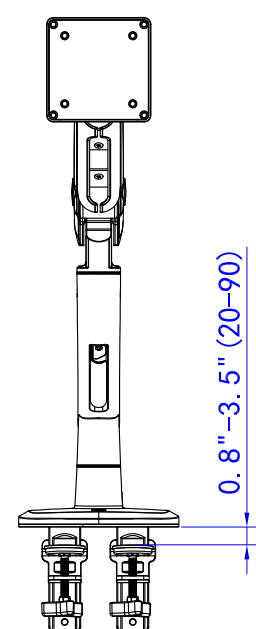
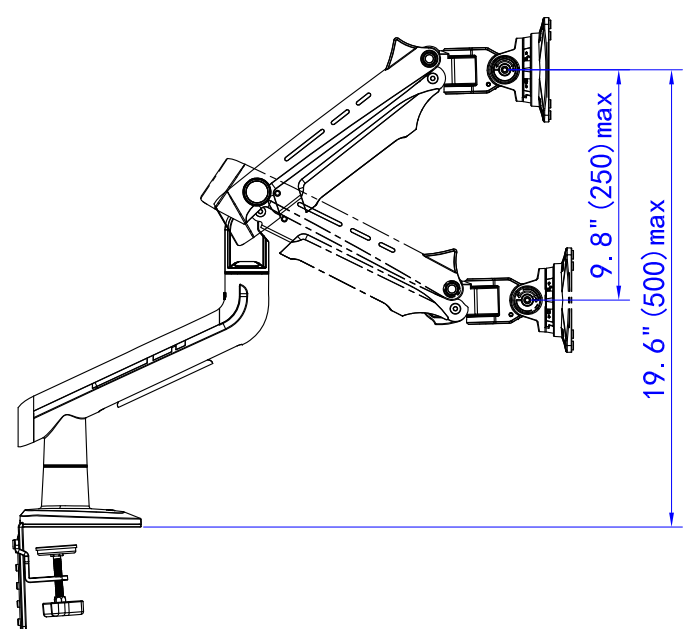
**Rotation**  
360°



**Tilt angles**  
±50°



**Swivel angles**  
±90°



- ◆ Parameter:
- ◆ Load Capacity: 4.4- 44 lbs (2-20 kg)
- ◆ TV Dimension: 32"-60"
- ◆ VESA Standard: 75\*75mm,100\*100mm

TOLERANCE UNLESS OTHERWISE SPECIFIED

0-10	±0.1
>10-50	±0.2
>50-120	±0.3
>120-400	±0.5
>400-1000	±0.8
>1000-3000	±1.2
HOLES	±+0.15/-0.0
ANGLE	±1°

APPROVALS	DATE	MATERIAL:	
DRW:		PART NO.:	
CHD:		UNIT: MM	SCALE: 1:1
APPD:		PROJECTION	

安徽泓杰人体工学科技有限公司  
ANHUI HONGJIE ERGONOMIC TECHNOLOGY CO.,LTD

参数图	SHEET 1 OF 1
DWG.NO.: ZJ00001705	REV: A1